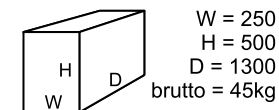
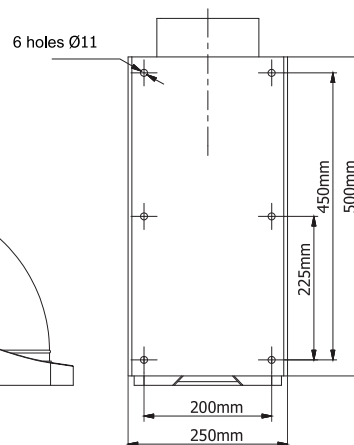
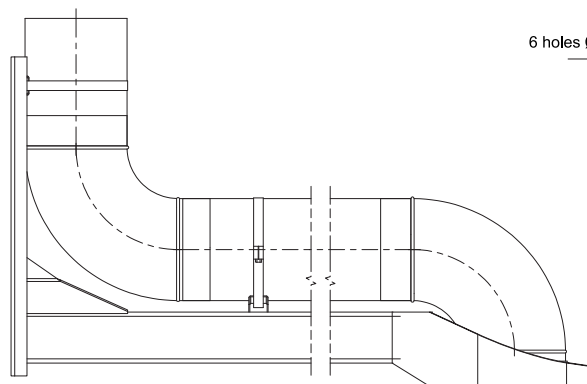
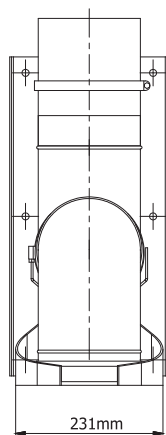
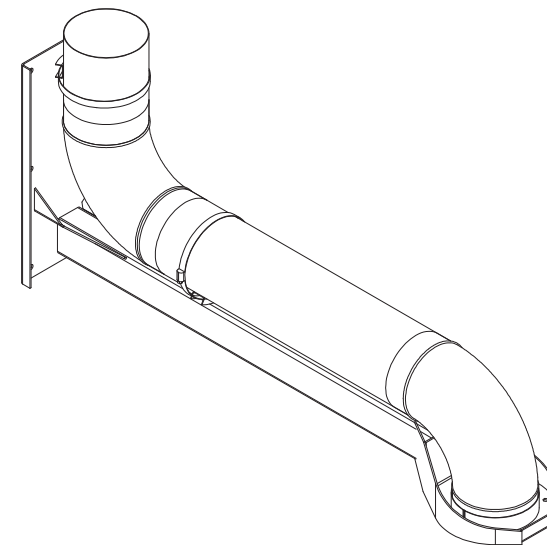
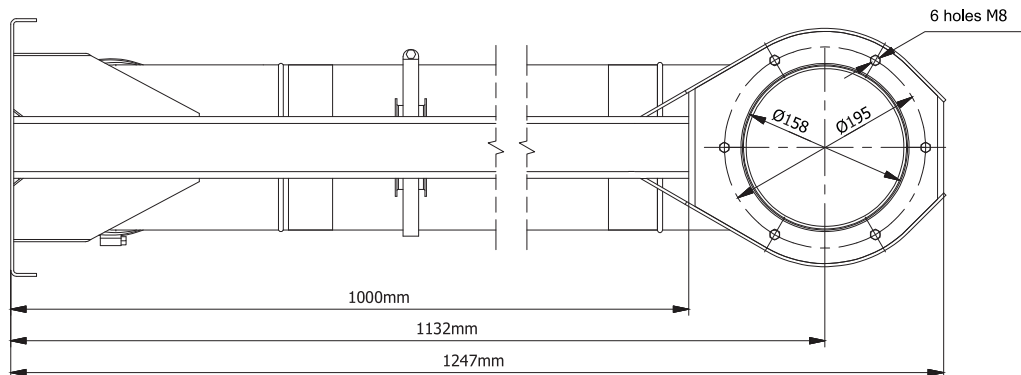


Product:	Fixed extension boom Ø160	
Index:	W06-02-10160	



Standard construction:

- galvanized spiro tube on the support beam
- heavy duty steel closed profile support beams with metal counter
- support rod and inlet socket for 160 series extraction arms
- all supports and adjustments on the outside
- welded steel boom mounting bracket with top or bottom outlets
- rigid bearings with friction discs
- black PVC flexible hoses (temperature resistance up to 80°C)